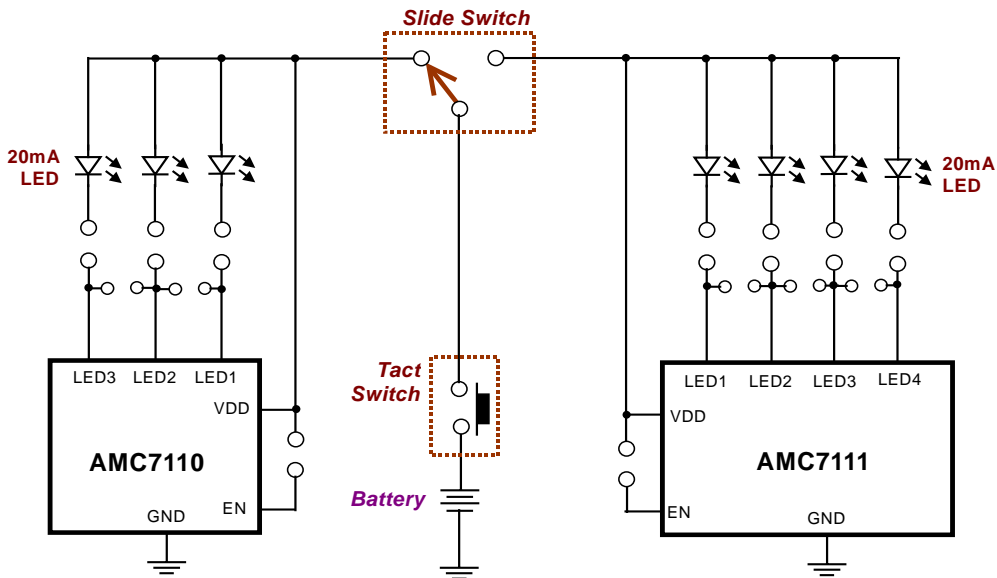
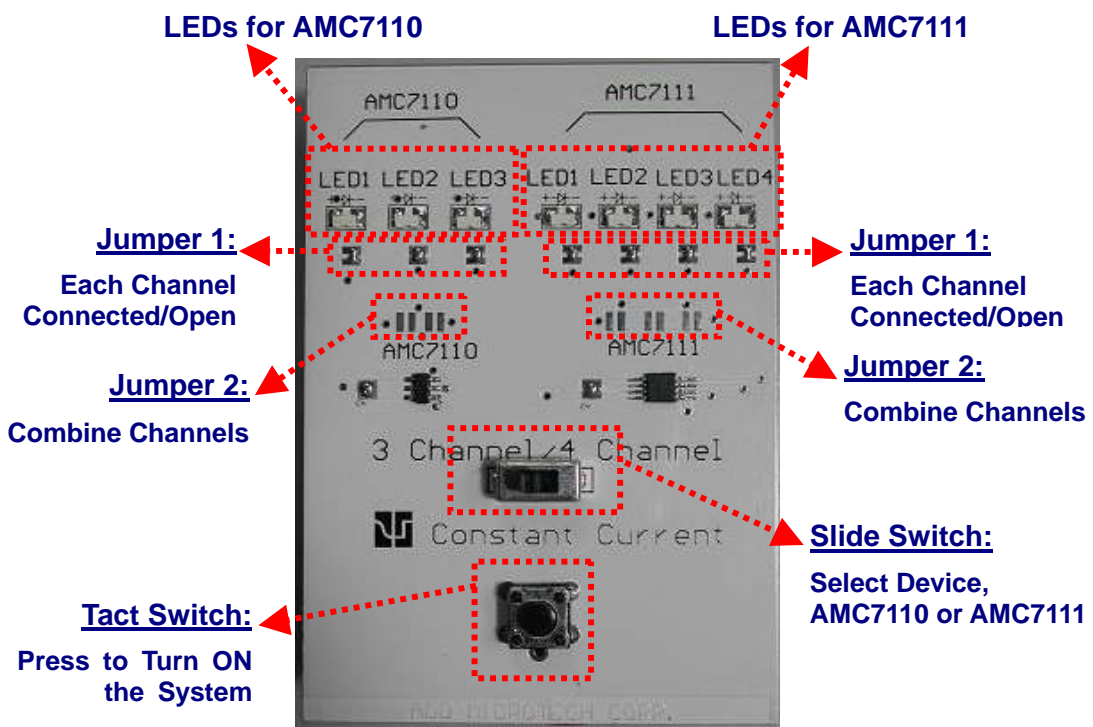


# AMC7110/7111 EVM User Guide

## ◆ Circuit Scheme:



## ◆ Picture



## ◆ Bill of Material

| C.R No. | Q'TY | Description                        |
|---------|------|------------------------------------|
| PCB     | 1    | PCB-AMC7110/7111 (version: 051012) |
| IC      | 1    | AMC7110                            |
| IC      | 1    | AMC7111                            |
| LED     | 7    | 20mA LED                           |
| Switch  | 1    | 3P, 180° Slide Switch              |
| Switch  | 1    | Tact Switch                        |
| Battery | 3    | AA(1.5V)                           |

## ◆ Descriptions

- 【 1 】 Slide switch is used to select which part for demo, AMC7110 or AMC7111. Press the tact switch and then the LEDs belonging to the selected part will be lit.
- 【 2 】 The jumper 1 is designed for connecting or disconnecting the individual LED to the corresponding channel. It can also be used for measuring current.
- 【 3 】 The jumper 2 is designed for combining two or more channels together in order to get larger driving current. Two channels combined gets 40mA driving current, three channels combined gets 60mA driving current, and so on.