

**6 CHANNELS ADJUSTABLE  
CONSTANT CURRENT LED DRIVER**
**DESCRIPTION**

A701/2 are adjustable constant current drivers for LED applications. Six regulated current ports are designed to provide uniform and pure DC constant current sinks for driving LEDs within a large range VF variation.

A701/2 provide users 6-channel constant current ports to match LEDs with equal current. Users may program the output current from 5mA to 40mA through an external resistor,  $R_{SET}$ , which gives user flexibility in controlling the light intensity of LEDs.

Two kinds of control logic, active high and active low, for Output Enable pin (OE/OE pin) are provided for user's varies applications. It could precisely adjust LED brightness from 0% to 100% via OE/OE pin with Pulse Width Modulation signal.

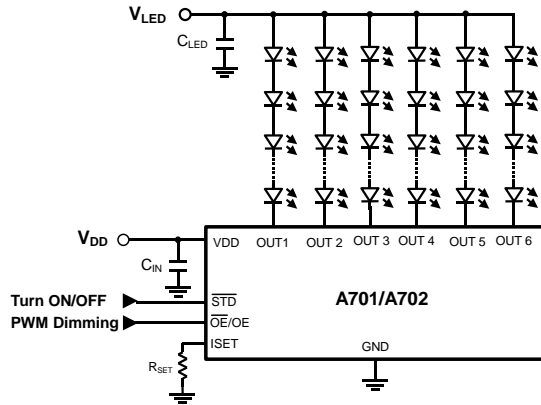
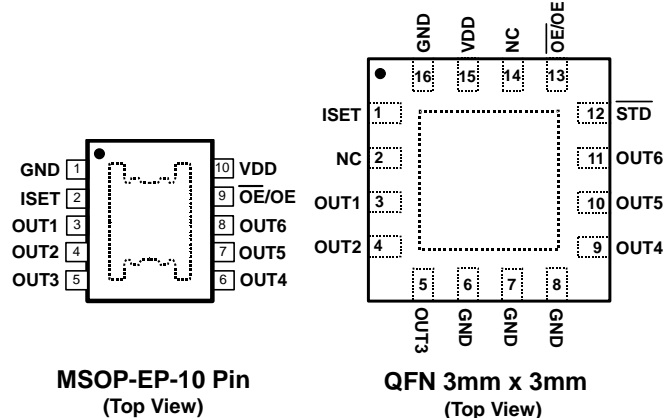
The thermal protection function protects IC from over temperature (150°C) damage. Also, the thermal pad enhances the package power dissipation.

**FEATURES**

- 6 constant-current output channels
- Output current deviations:  $\pm 3\%$  between channels,  $\pm 7\%$  between ICs.
- Output current programmable through external resistor.
- Constant output current range: 5mA~40mA
- Wide supply voltage range: 6V~50V (A702)
- 75V output sustaining voltage
- 1uA Shut-down current
- 2 kinds of control logic for Output Enable pin

**APPLICATIONS**

- Automotive Interior Lighting
- Channel Letter, Indoor Lighting
- LED Backlight Driver for MP3, MP4, Mobile Phone, Portable DVD, NB, and LCD TV.

**TYPICAL APPLICATION CIRCUIT**

**PACKAGE PIN OUT**

**ORDER INFORMATION**

V <sub>DD</sub> Range	OE/OE Pin Logic	G	MSOP-EP	J	QFN 3x3
			10 pin		16 pin
2.9V~ 6V	Low Enable		A701GFT		A701JGT
6V~ 50V	High Enable		A702GFT-HE		A702JGT-HE
	Low Enable		A702GFT		A702JGT

Note:

 Part Number: A 7 0 1 □ □ □  
 A 7 0 2 □ □ □ - HE

 Package Type. G: MSOP-EP; J: QFN-3x3  
 Package Process. F: Lead Free; G: Green

 EN Pin Logic. HE: High Enable  
 Packing. T: Tape & Reel

**IMPORTANT NOTICE**

ADDtek reserves the right to make changes to its products or to discontinue any integrated circuit product or service without notice, and advises its customers to obtain the latest version of relevant information to verify, before placing orders, that the information being relied on is current.

A few applications using integrated circuit products may involve potential risks of death, personal injury, or severe property or environmental damage. ADDtek integrated circuit products are not designed, intended, authorized, or warranted to be suitable for use in life-support applications, devices or systems or other critical applications. Use of ADDtek products in such applications is understood to be fully at the risk of the customer. In order to minimize risks associated with the customer's applications, the customer should provide adequate design and operating safeguards.

ADDtek assumes no liability to customer product design or application support. ADDtek warrants the performance of its products to the specifications applicable at the time of sale.

---

**ADDtek Corp.**

9F, No. 20, Sec. 3, Bade Rd., Taipei, Taiwan, 105

TEL: 2-25700299

FAX: 2-25700196

---